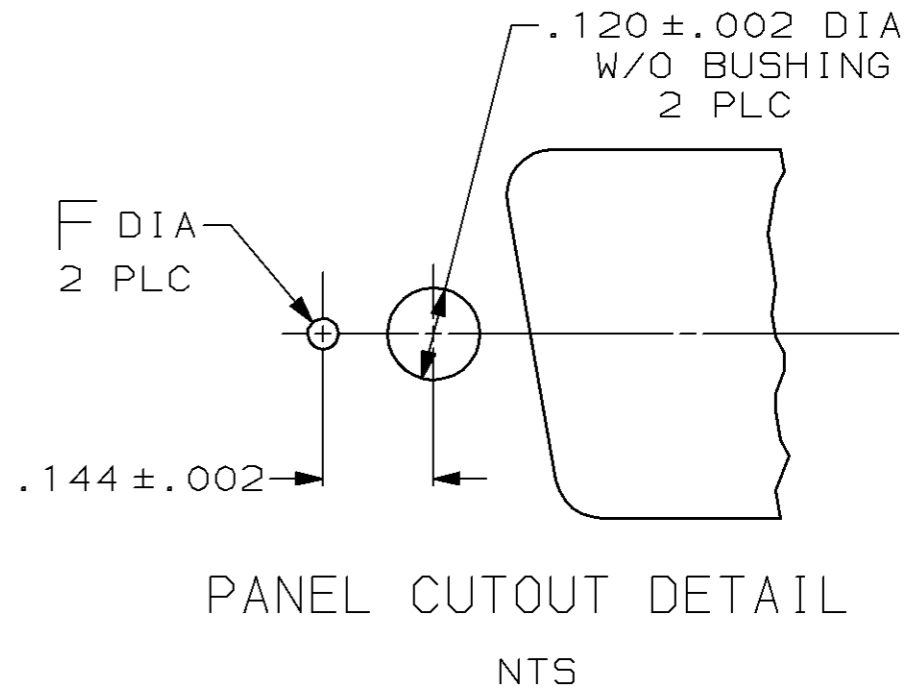
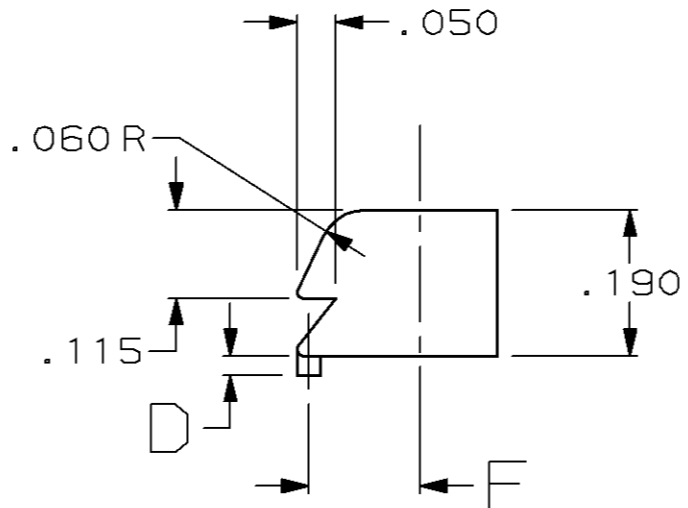
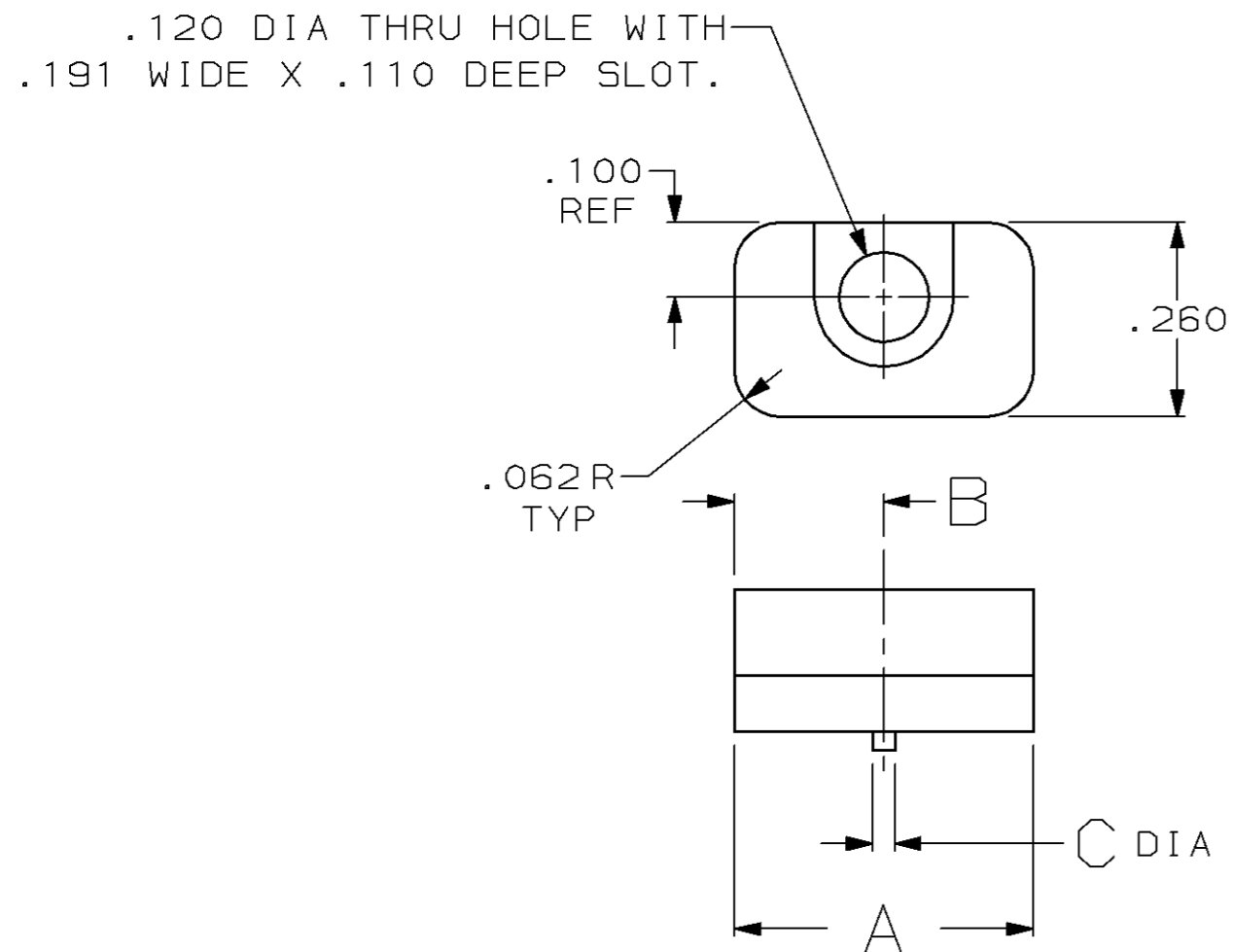


THIS DRAWING IS UNPUBLISHED. RELEASED FOR PUBLICATION, 19 .
 © COPYRIGHT 19 BY AMP INCORPORATED. ALL INTERNATIONAL RIGHTS RESERVED.

LOC	DIST	P	F	REVISIONS				
BD	48			ZONE	LTR	DESCRIPTION	DATE	APPD
					C	REDRAWN ON CAD	4-9-90	-
					D	OBS -6 PER EC 0420-145-96	12 SEP 97	SB



OBSOLETE	.050	.136	.055	.045	BULK PACKAGED	2	.200	.400	745245-7
OBSOLETE	.040	.144	.025	.030	BULK PACKAGED	2	.265	.530	745245-6
	.040	.144	.025	.030	ONE KIT PER BAG	2	.265	.530	745245-5
					BULK PACKAGED	2	.200	.400	745245-3
					ONE KIT PER BAG	2	.200	.400	745245-2
	F	E	D	C	PACKAGING	QUANTITY	B	A	PART NUMBER

DO NOT SCALE PRINT, UNLESS SPECIFIED DIMENSIONS IN INCHES TOLERANCES ON: 2 PLC DEC ± - 3 PLC DEC ± .005 ANGLES ± -	DR 4-9-90 J GALLUCCI BG	AMP AMP INCORPORATED Harrisburg, Pa. 17105		
	CHK 6-15-90 W. LENKER			
	MATERIAL ZINC	APPD 7-11-90 J. WESTMAN	NAME LATCHING BLOCK, AMPLIMITE™	
	FINISH -	APPD 7-16-90 J. ASSINI	SIZE B	FSCM NO 00779
	PRODUCT SPEC -	SCALE 4:1		SHEET 1 OF 1
	APPLICATION SPEC -			
	WEIGHT -			